

COMPACTOR(HOE PACK)

- Highly effective when hardening the surface of narrow ditch or the wide area of slope.
- Durable and reliable design for rental, paving and construction business.



Features

A motor protection check valve is applied to protect hydraulic motor and control valves

Any type of mounting bracket can be mounted for various kinds of equipment

Vibration absorbing pads arranged at an optimal angle to improve durability.

High efficiency hydraulic motor makes powerful compaction force.

Precise control valve is to make the pressure and flow rate adjustable. This optimize the performance and protect the hydraulic motor.

All zinc plated high grade bolts and nuts guarantee long lifetime.

UNIQUE ARRANGEMENT OF VIBRATION ABSORBING PADS.

The vibration absorbing pads are arranged in an optimal angle to improve the efficiency and durability of the compactor. In many cases , operators use the compactor not only for pounding but also for moving materials and for holding the arm when turning. This is why the diagonal arrangement of pad is better and guarantee long lifetime of the compactor without any trouble.



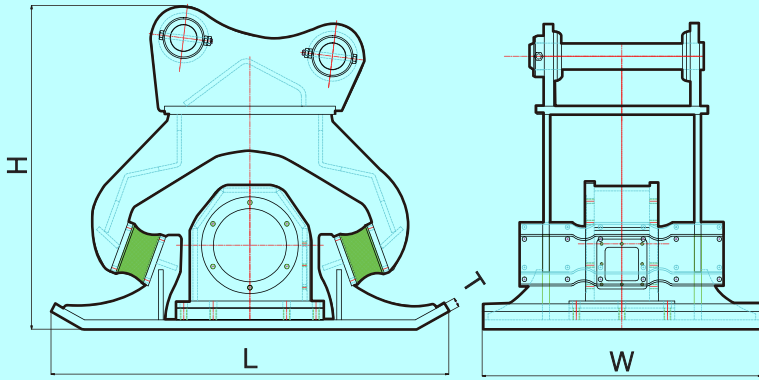
- Top quality vibration absorbing pad



- High-quality oil motor



- All-in-one flow control valve



Model	Carrier	Compactibility	Vibration	Flow Rate	working Pressure	set Pressure	L×W×T	H	No. of pad	Weight
Units	ton	ton	rpm	lpm	bar	bar	mm	mm	set	kg
	lbs	lbs		gpm	psi	psi	inch	inch		lbs
COM3	4~10	4	600~1,800	45~65	100~170	180	900×550×25	751	4	350
	8818~22046	8800		12.1~17.1	1450~2465	2610	35.4×21.6×1	29.5		771
COM6	13~16	7.5	600~1,800	80~110	150~210	250	1,160×700×28	922	4	644
	28600~35200	16500		21.1~29.0	2175~3045	3625	45.6×27.5×1.1	36.2		1419
COM8	18~25	15	600~2,000	120~170	170~220	250	1,350×900×30	1043	4	1,060
	39600~55100	33000		31.7~44.9	2465~3190	3625	53.1×35.4×1.2	41.0		2336
COM10	28~30	15	600~2,000	150~200	170~220	250	1,350×900×32	1092	6	1,150
	61700~66100	33000		39.6~52.8	2465~3190	3625	53.1×35.4×1.25	43.0		2535

※ Above specification can be changed without prior notice to improve performance.

